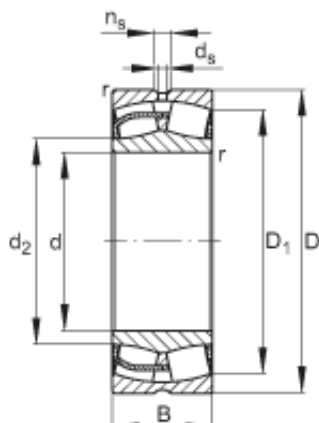




# KOYO BEARINGS POLSKA Sp.Z O.o.



## 220 mm x 340 mm x 90 mm FAG 23044-E1 Spherical Roller Bearings

Bearing No. 23044-E1

23044-E1 Bearing 2D drawings and 3D CAD models

Size	220x340x90 mm
Bore Diameter	220 mm
Outer Diameter	340 mm
Width	90 mm
d	220 mm
D	340 mm
B	90 mm
D <sub>1</sub>	304,5 mm
D <sub>a max</sub>	327,6 mm
d <sub>2</sub>	248,8 mm
d <sub>a min</sub>	232,4 mm
d <sub>s</sub>	8 mm
n <sub>s</sub>	15 mm
r <sub>a max</sub>	2,5 mm
r <sub>min</sub>	3 mm
m	28,53 kg / Weight
C <sub>r</sub>	1260000 N / Dynamic load rating (radial)
e	0,24
Y <sub>1</sub>	2,81
Y <sub>2</sub>	4,19
C <sub>0r</sub>	1900000 N / Static load rating (radial)
Y <sub>0</sub>	2,75



## KOYO BEARINGS POLSKA Sp.Z O.o.

$n_G$	2230 1/min / Limiting speed
$n_B$	1470 1/min
$C_{ur}$	177000 N / Fatigue limit load, radial