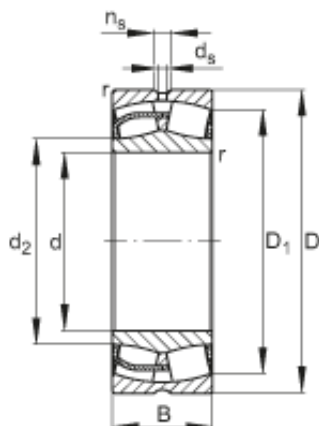




KOYO BEARINGS POLSKA Sp.Z O.o.



300 mm x 460 mm x 118 mm FAG 23060-E1 Spherical Roller Bearings

Bearing No. 23060-E1

23060-E1 Bearing 2D drawings and 3D CAD models

Size	300x460x118 mm
Bore Diameter	300 mm
Outer Diameter	460 mm
Width	118 mm
d	300 mm
D	460 mm
B	118 mm
D ₁	413 mm
D _{a max}	445,4 mm
d ₂	340 mm
d _{a min}	314,6 mm
d _s	9,5 mm
n _s	17,7 mm
r _{a max}	3 mm
r _{min}	4 mm
m	70,5 kg / Weight
C _r	2160000 N / Dynamic load rating (radial)
e	0,23
Y ₁	2,92
Y ₂	4,35
C _{0r}	3450000 N / Static load rating (radial)
Y ₀	2,86



KOYO BEARINGS POLSKA Sp.Z O.o.

n_G	1570 1/min / Limiting speed
n_B	1000 1/min
C_{ur}	295000 N / Fatigue limit load, radial