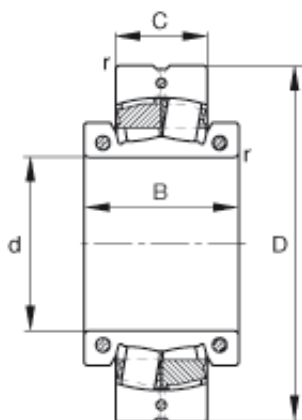




KOYO BEARINGS POLSKA Sp.Z O.o.



10 1/2 inch x 420 mm x 170 mm FAG 230S.1008 Spherical Roller Bearings

Bearing No. 230S.1008

230S.1008 Bearing 2D drawings and 3D CAD models

Size	266.7x420x106 mm
Bore Diameter	266,7 mm
Outer Diameter	420 mm
Width	106 mm
d	266,7 mm
d	10 1/2 inch
D	420 mm
C	106 mm
B	170 mm
r _{min}	4 mm
m	64,3 kg / Weight
C _r	1460000 N / Dynamic load rating (radial)
e	0,23
Y ₁	2,95
Y ₂	4,4
C _{0r}	2450000 N / Static load rating (radial)
Y ₀	2,89
n _G	620 1/min / Limiting speed
C _{ur}	200000 N / Fatigue limit load, radial
F _{a max}	32000 N / Permissible axial load, for inner ring without axial abutment
M _i	120 Nm / Tightening torque



KOYO BEARINGS POLSKA Sp.Z O.o.

	per clamping screw
M_a	35 Nm / Tightening torque per clamping screw
	23056K / Designation, spherical roller bearing, unsplit
	H3056.1008
SNP3056.1008	Designation, adapter sleeve, US design