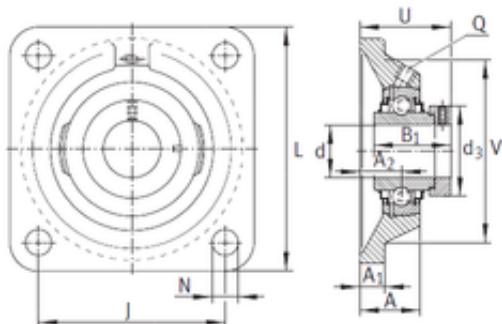




**INA RCJO70 Flange-Mount Ball Bearing Units**



Bearing No. RCJO70

Bore Diameter	70 mm
d	70 mm
V	196 mm
U	85,4 mm
Thread (Q)	Rp1/8
d3	102 mm
A	54,5 mm
A1	25 mm
B1	75,4 mm
J	178 mm
L	226 mm
N	25 mm
A2	36 mm
Weight	10 Kg
Basic dynamic load rating (C)	104 kN
Category	Flange Block Bearings
Inventory	0.0
Manufacturer Name	SCHAEFFLER GROUP
Minimum Buy Quantity	N/A
Weight / Kilogram	11.975
EAN	4012802803082
Product Group	M06110
Number of Mounting Holes	4
Mounting Method	Eccentric Collar
Housing Style	4 Bolt Square Flange Block
Rolling Element	Ball Bearing

RCJO70 Bearing 2D drawings and 3D CAD models



## KOYO BEARINGS POLSKA Sp.Z O.o.

Housing Material	Cast Iron
Expansion / Non-expansion	Non-expansion
Mounting Bolts	25 Millimeter
Relubricatable	Yes
Insert Part Number	GNE70KRRB
Seals	Double Land Riding Rubber Contact
Housing Configuration	1 Piece Solid
Pilot Configuration	No Pilot
Inch - Metric	Metric
Long Description	4 Bolt Square Flange Block; 70MM Bore; 251.7MM Bolt Circle; 178MM Bolt Spacing; 1 Piece Solid; Eccentric Collar Mount; Cast Iron; Ball Bearing; 75.4MM Length Thru Bore; Relubricatable; Double Land Rid
Other Features	Single Row   Extended Inner Race   With Set Screw
Category	Flange Block
UNSPSC	31171501
Harmonized Tariff Code	8483.20.40.40
Noun	Bearing
Keyword String	Flanged
Manufacturer URL	<a href="http://www.ina.com">http://www.ina.com</a>
Manufacturer Item Number	RCJO70
Weight / LBS	22.05
Bolt Spacing	7.008 Inch   178 Millimeter
Length Thru Bore	2.969 Inch   75.4 Millimeter
Bore	2.756 Inch   70 Millimeter
Cartridge Pilot Diameter	0 Inch   0 Millimeter
Cartridge Pilot Depth	0 Inch   0 Millimeter
Nominal Bolt Circle	9.9 Inch   251.7 Millimeter



# KOYO BEARINGS POLSKA Sp.Z O.o.

Diameter Round	
----------------	--